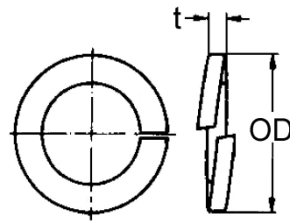
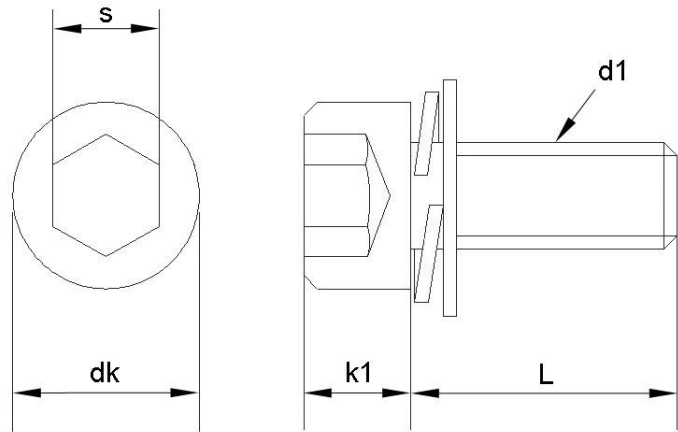
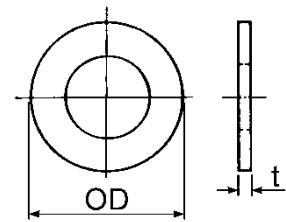


Hexagon socket head cap screw sems with spring lock washer and plain washer



S.W



F.W

Unit : inch

Nom. dia. (d1)	Head diameter (dk)	Head height (k1)	Hexagon Socket size (s)	S.W		F.W	
				(OD)	(t)	(OD)	(t)
#2-56	0.140	0.086	5/64	0.155	0.02	0.169	0.015
#4-40	0.183	0.112	3/32	0.207	0.031	0.216	0.019
#6-32	0.226	0.138	7/64	0.260	0.034	0.275	0.019
#8-32	0.270	0.164	9/64	0.256	0.047	0.275	0.017
#10-24or32	0.312	0.190	5/32	0.311	0.062	0.446	0.045

Screw standard according to ASME B18.3



CHU WU INDUSTRIAL CO., LTD.

No. 16, Guanghua Rd., Sanchong Dist., New Taipei City 241, Taiwan
 Tel: +886-2-8512-4735(Rep.) Fax: +886-2-8512-4295, 8512-4737
 E-mail: sales@chuwu.com.tw http://www.chuwu.com.tw