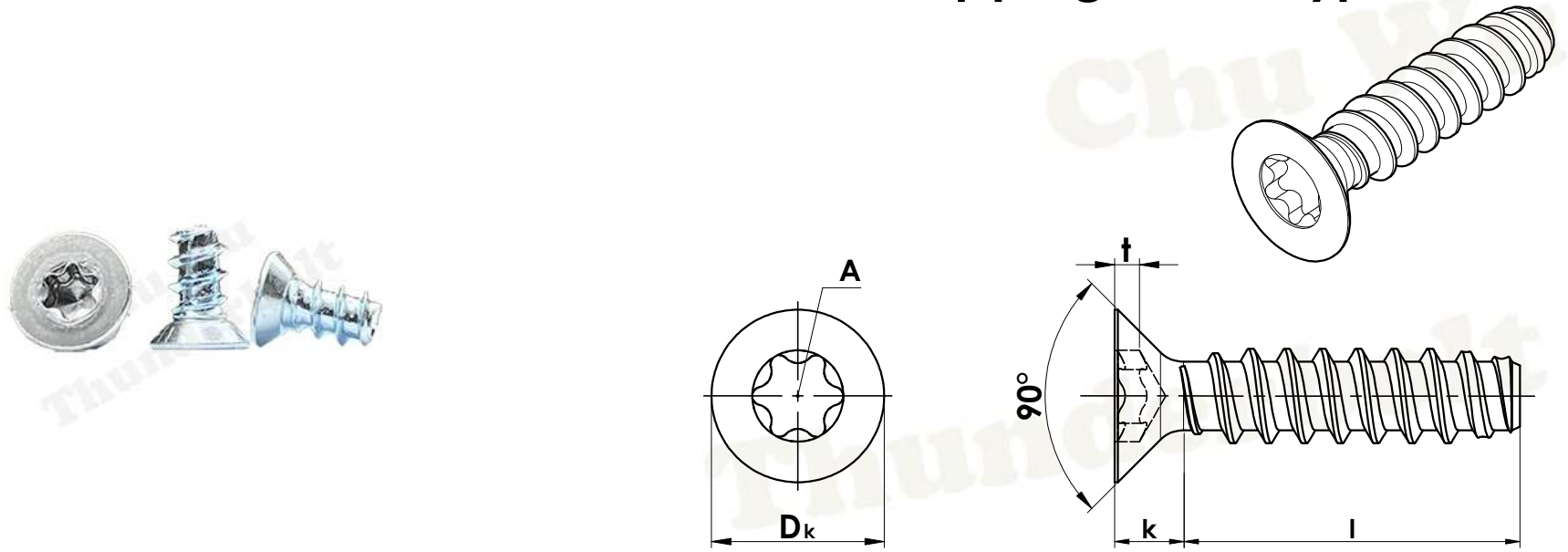


# ISO14586 Hexalobular socket Flat head tapping screw type F



| Nom. dia. | Pitch<br>(≈) (P) | Head diameter<br>(D <sub>k</sub> ) (max.)            | Head height<br>(k) (max.) | Recess<br>(A) | Penetration gauging<br>depth (t) (min.) |
|-----------|------------------|--|---------------------------|---------------|---|
| ST6.3     | 1.80             | 11.30  | 3.15                      | No.30         | 2.02                                    |
| ST5.5     | 1.80             | 10.30  | 3.00                      | No.25         | 1.65                                    |
| ST4.8     | 1.60             | 9.30   | 2.80                      | No.25         | 1.39                                    |
| ST4.2     | 1.40             | 8.40   | 2.60                      | No.20         | 1.14                                    |
| ST3.5     | 1.30             | 7.30   | 2.35                      | No.15         | 1.00                                    |
| ST2.9     | 1.10             | 5.50   | 1.70                      | No.10         | 0.65                                    |
| ST2.6     | 0.90             | For more information, please contact our sales staff |                           |               |   |
| ST2.2     | 0.80             |  |                           |               |   |
| ST1.9     | 0.60             |  |                           |               |   |
| ST1.5     | 0.50             |  |                           |               |   |

Unit: mm