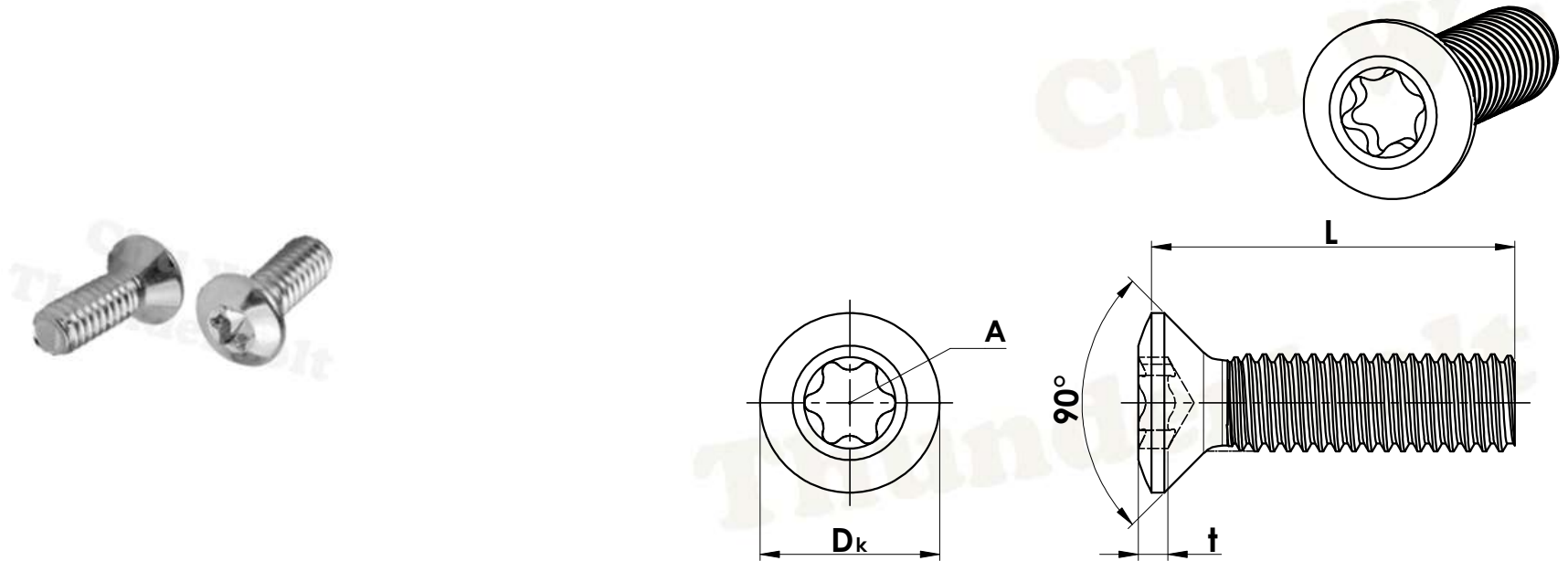


ISO 14584 Hexalobular socket raise countersunk head screw



Nom. dia.	Pitch (P)	Head diameter (D _k) (max.)	Head height (k) (max.)	Recess (A)	Penetration gauging depth (t) (min.)
M8	1.25	15.80	4.65	No.45	2.92
M6	1.00	11.30	3.30	No.30	2.02
M5	0.80	9.30	2.70	No.25	1.65
M4	0.70	8.40	2.70	No.20	1.42
M3	0.50	5.50	1.65	No.10	0.88
M2.5	0.45	4.70	1.50	No.8	0.91
M2	0.4	3.80	1.20	No.6	0.63
M1.6	0.35	For more information, please contact our sales staff			
M1.4	0.3				
M1.2	0.25				
M1	0.25				

Unit: mm