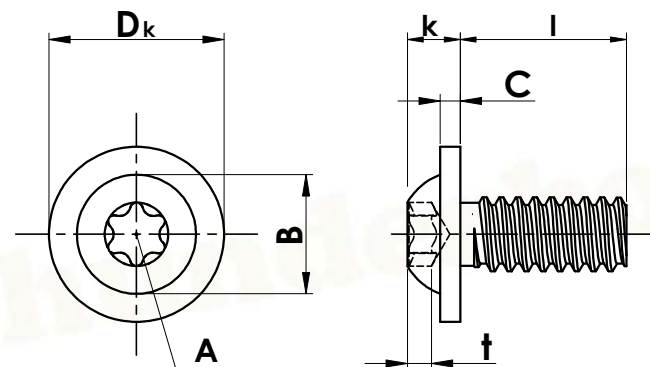


ASME B18.6.3-Hexalobular recess Round washer head screw



Nom. dia.	Washer diameter (D _k) (max.)	Head height (k)(max.)	Recess (A)	Penetration gauging depth (t) (min.)	Crown diameter (B)(ref.)	Washer thickness (C)(ref.)
# 12-24	0.498	0.148	T27	0.065	0.341	0.050
# 10-32	0.439	0.130	T25	0.060	0.300	0.050
# 8-32	0.380	0.113	T20	0.050	0.259	0.040
# 6-32	0.321	0.096	T15	0.050	0.218	0.040
# 5-40	0.291	0.088	T10	0.035	0.198	0.040
# 4-40	0.261	0.079	T9	0.035	0.177	0.030
# 3-48	0.232	0.070	T8	0.030	0.156	0.030
# 2-56	For more information, please contact our sales staff					
# 1-64						
# 0-80						

Unit: inch